

LOW-HEADROOM FRONT MOUNT TRACK

HEADROOM REQUIREMENTS:

- 2" TRACK: 10"
- 3" TRACK: 13"
- 4" ADDITIONAL HEADROOM REQUIRED FOR TROLLEY OPERATOR

INTERMEDIATE HORIZONTAL TRACK SUPPORT: (BY INSTALLER)

- NO (DOORS TO 12'0" HIGH)
- YES (DOORS FROM 12'3" HIGH)

STARTER ANGLE:
12 GA.

REAR HANGER: (SUPPLIED BY INSTALLER)

TROLLEY OPERATOR:

- YES
- NO
- BY OTHERS

REINFORCING KIT ATTACHES TO DOOR

- YES
- NO
- BY OTHERS

SPRING BUMPER:

- YES (OPTIONAL)
- NO

HORIZONTAL TRACK:

- 2" 16 GA. UPPER
14 GA. MIN. LOWER
- 3" 12 GA. UPPER
12 GA. LOWER

RADIUS:
12" R. UPPER
15" R. LOWER

BACK ROOM
DOOR HEIGHT + 23" (2" TRACK)
DOOR HEIGHT + 25" (3" TRACK)

OPERATOR BACKROOM
DOOR HEIGHT + 4'-0"

VERTICAL TRACK:

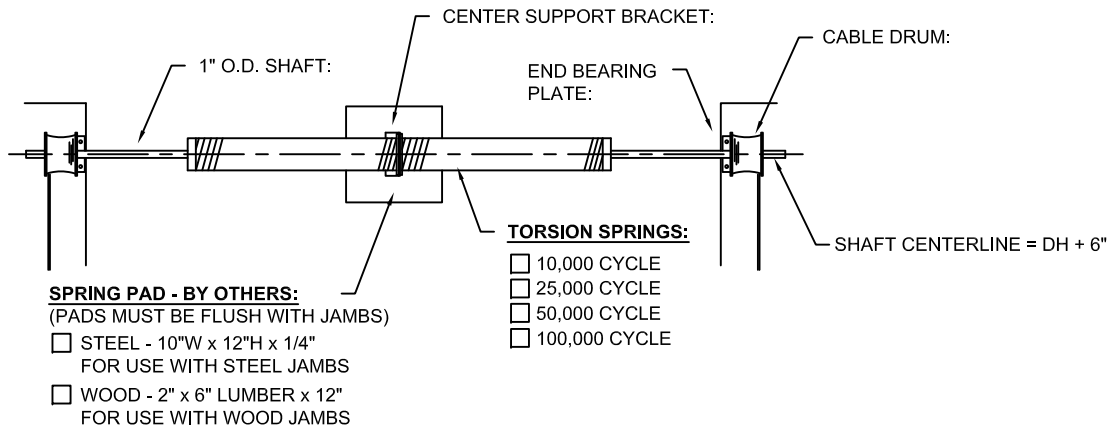
- 16 GA. MIN. 2" TRACK
- 12 GA. 3" TRACK

HEADROOM

OVERHEAD CLEARANCE
DOOR HEIGHT + 1"

NOTE:

SPRING SIZE AND CONFIGURATION INDIVIDUALLY CALCULATED TO COUNTERBALANCE DOOR LOAD. AN EXACT SPRING LAYOUT CAN BE FURNISHED UPON APPROVAL OF BID. SOME DOORS MAY REQUIRE 6" SPRINGS OR DOUBLE SHAFTS.



CUST:	LOW-HEADROOM FRONT MOUNT	TRACK SIZE:	OPERATOR MODEL #:	OVERHEAD CLEARANCE:	SHEET 'T-2'
JOB:	OPENING SIZE: ___' ___" W x ___' ___" H	OPERATOR BACKROOM:	AVAILABLE HEADROOM:	DATE:	
ARCH:	DOOR SIZE: ___' ___" W x ___' ___" H	BACK ROOM:	HEADROOM REQUIREMENT:	BID #:	
CONT:				PAGE ___ of ___	