

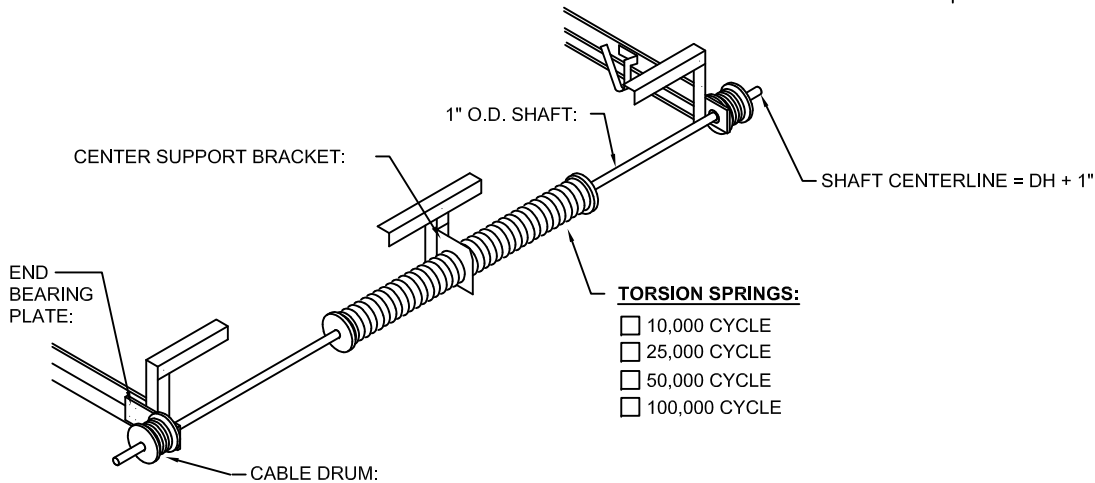
# LOW-HEADROOM REAR MOUNT TRACK

## HEADROOM REQUIREMENTS

- 2" TRACK: 6 1/2"
- 3" TRACK: 10"
- 4" ADDITIONAL HEADROOM FOR TROLLEY OPERATOR

## NOTE:

SPRING SIZE AND CONFIGURATION INDIVIDUALLY CALCULATED TO COUNTERBALANCE DOOR LOAD. AN EXACT SPRING LAYOUT CAN BE FURNISHED UPON APPROVAL OF BID. SOME DOORS MAY REQUIRE 6" SPRINGS.



### TORSION SPRINGS:

- 10,000 CYCLE
- 25,000 CYCLE
- 50,000 CYCLE
- 100,000 CYCLE

### TROLLEY OPERATOR:

- YES
- NO
- BY OTHERS

### REINFORCING KIT: ATTACHED TO DOOR

- YES
- NO
- BY OTHERS

### INTERMEDIATE HORIZONTAL TRACK SUPPORT: (BY INSTALLER)

- NO (DOORS THRU 12'0" HIGH)
- YES (DOORS OVER 12'0" HIGH)

### REAR HANGER: (SUPPLIED BY INSTALLER)

### STARTER ANGLE: 12 GA.

### SPRING BUMPER:

- YES (OPTIONAL)
- NO

### HORIZONTAL TRACK:

- 2" 16 GA. UPPER  
14 GA. MIN. LOWER
- 3" 12 GA. UPPER  
12 GA. LOWER

### RADIUS:

- 12" R. UPPER
- 15" R. LOWER

BACK ROOM  
DOOR HEIGHT + 30" (2" TRACK)  
DOOR HEIGHT + 32" (3" TRACK)

OPERATOR BACKROOM  
DOOR HEIGHT + 5'-0"

### VERTICAL TRACK:

- 16 GA. MIN.  
2" TRACK
- 12 GA.  
3" TRACK

OVERHEAD CLEARANCE  
DOOR HEIGHT + 1"

HEADROOM



CUST: \_\_\_\_\_  
 JOB: \_\_\_\_\_  
 ARCH: \_\_\_\_\_  
 CONT: \_\_\_\_\_

LOW-HEADROOM REAR MOUNT TRACK SIZE:  
 OPENING SIZE: \_\_\_\_\_' \_\_\_\_\_" W x \_\_\_\_\_' \_\_\_\_\_" H  
 DOOR SIZE: \_\_\_\_\_' \_\_\_\_\_" W x \_\_\_\_\_' \_\_\_\_\_" H

OPERATOR MODEL #: \_\_\_\_\_  
 OPERATOR BACKROOM: \_\_\_\_\_  
 BACK ROOM: \_\_\_\_\_

OVERHEAD CLEARANCE: \_\_\_\_\_  
 AVAILABLE HEADROOM: \_\_\_\_\_  
 HEADROOM REQUIREMENT: \_\_\_\_\_

**SHEET 'T-3'**  
 DATE: \_\_\_\_\_  
 BID #: \_\_\_\_\_  
 PAGE \_\_\_\_\_ of \_\_\_\_\_