

LINSTOR Enables Growth for ControlIT

Background

ControlIT is a company that provides Dataflow services in a SolaaS (Solution as a Service) format. The company primarily serves clients located in Chile, England, and Peru. Its target audience includes all clients who need to solve Dataflow problems (e.g., centralizing data, interconnecting APIs, automating processes, etc.) but lack the tools, time, or qualified personnel to do so.

ControlIT requires HA/SDS for its internal platform, which is the foundation for delivering services to its clients. It is absolutely essential that the platform must be operational 24x7.

Business Challenge

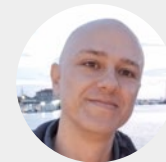
As ControlIT's Linode Kubernetes installation grew, they encountered the restriction/surprise that meant they could not have more than 8 disks attached to a Kubernetes node. This was a major problem for the company's growth. As a result, they were forced to look for solutions, and came across LINBIT's LINSTOR, which perfectly matched the business challenge and resolved ControlIT's issue.

ControlIT evaluated other solutions but encountered too many issues with configuration, performance, and stability compared to what LINSTOR offered. With over 20 years of experience using Linux (both on desktop and servers), CEO and Founder of ControlIT, Juan Ignacio was delighted to learn that LINSTOR uses DRBD as its foundation. The company immediately decided that it was an excellent option, as the smartest approach is always to stand on the 'shoulders of giants.'



CONTROLIT

As we are a small company with limited staff, we need a stable solution that requires minimal maintenance, and LINBIT's LINSTOR and their support staff have so far exceeded these expectations.



Juan Ignacio Saitua

CEO and Founder, ControlIT

CONTACT US

INTERNATIONAL

+43-1-8178292-0
sales@linbit.com

USA

+1-877-454-6248
sales@linbit.com

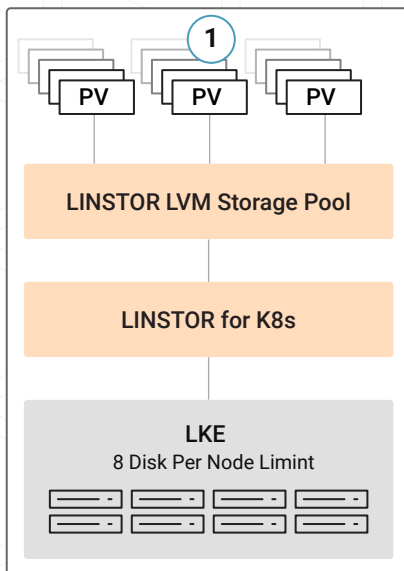
Solution

LINSTOR is now the “orchestrator” of all storage resources for the ControllIT Kubernetes deployment. LKE limits the number of devices it can connect to a single host. LINSTOR mitigates this by being able to take large devices attached to the LKE nodes, and being able to create “limitless” logical volumes that are also replicated by DRBD, for high availability. LINSTOR, therefore, allows ControllIT to scale easily, reliably, and at a low cost, enabling it to provide better levels of service at a highly competitive value to its clients.

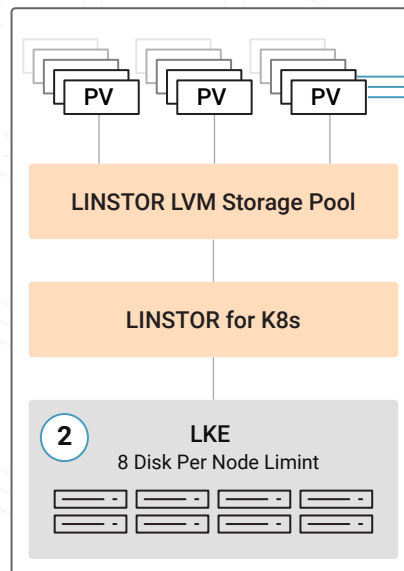
ControllIT chose LINSTOR for its excellent performance, simple configuration, open source foundation (DRBD, Piraeus Datastore), and personalized support, which, as Juan Ignacio says, is always highly appreciated by companies like ControllIT. The LINBIT support team are “very kind individuals who thoroughly master every technical detail of the solution, which is something that is not so common in support teams.”

- **HA and SDS**
The platform is fully operational 24x7, which is essential to the client.
- **LINSTOR**
Can create “limitless” logical volumes that are also replicated by DRBD.
- **Service**
Provide better levels of service at a highly competitive value to its clients.

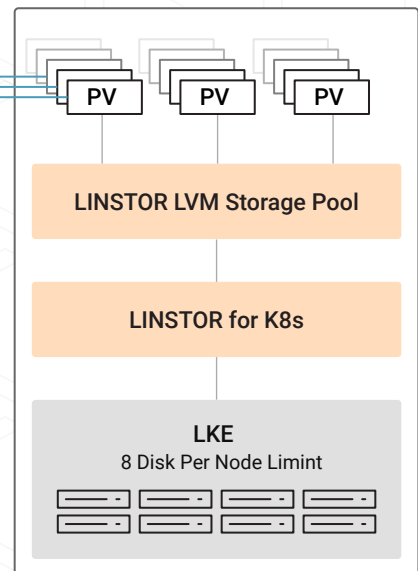
1 LINSTOR has no limit on the number of devices it can create from a single physical device



2 Allowing LKE users to mitigate the device count limitations within LKE managed K8s



3 While also adding synchronous replication from DRBD, enabling HA for pods within LKE



CONTACT US

INTERNATIONAL

+43-1-8178292-0
sales@linbit.com

USA

+1-877-454-6248
sales@linbit.com