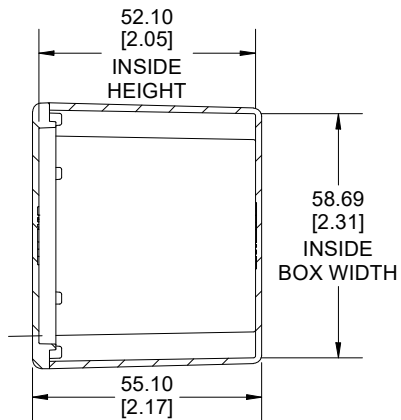
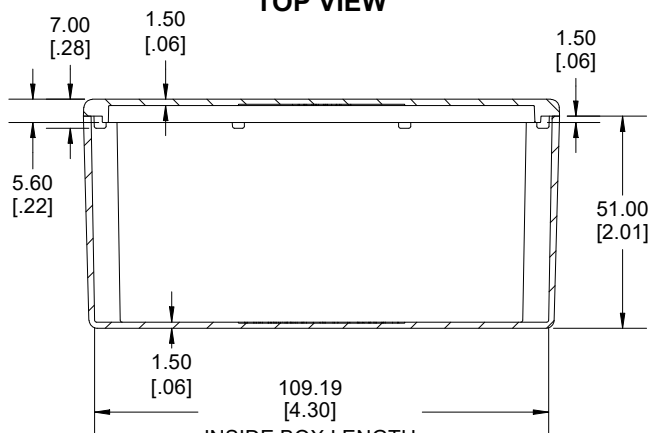


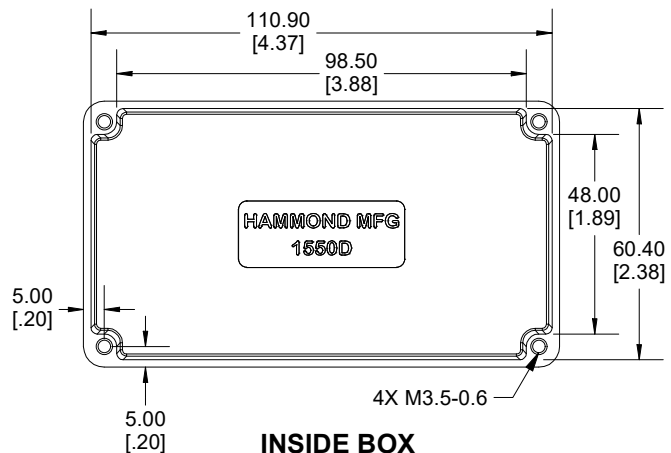
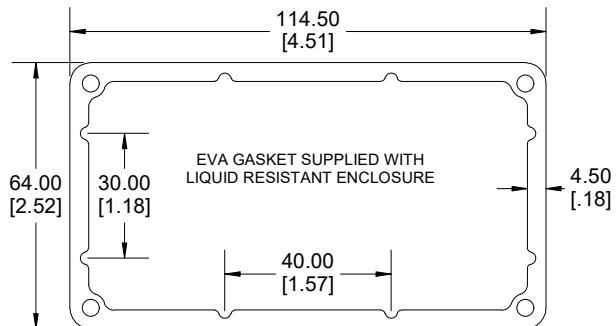
TOP VIEW



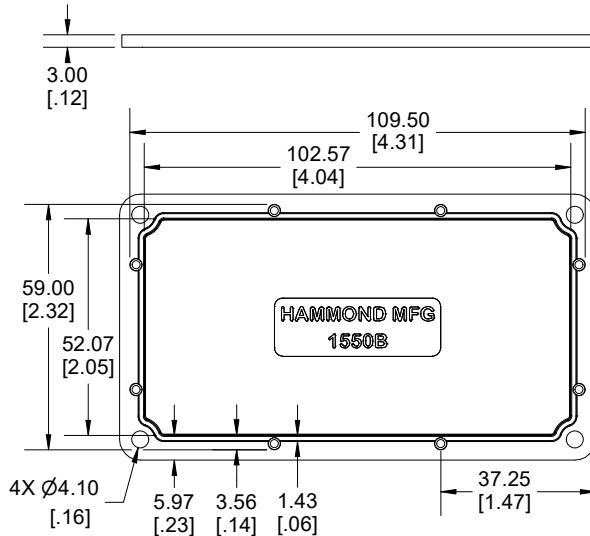
**SECTION A-A
END VIEW**



**SECTION B-B
SIDE VIEW**

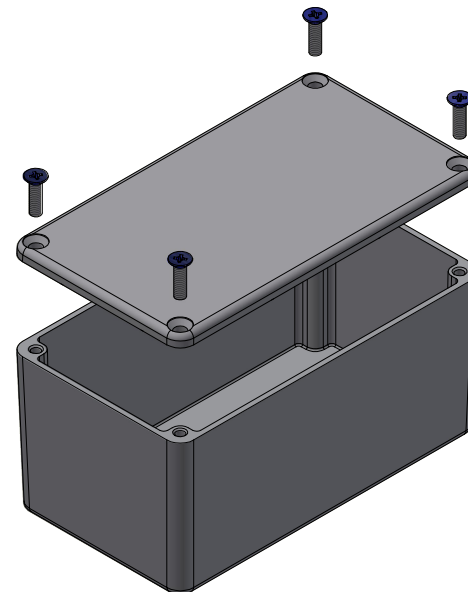


INSIDE BOX



INSIDE LID

Dimensions:
mm
[inches]



Enclosures can be Factory Modified (Milling, Drilling, Printing etc.)
Contact Factory (modshop@hammfg.com) for quotes
Solid models of this enclosure available in .stp or .x_t
(Part number and text placement/orientation on our products are subject to change,
we do not recommend using them as a locating reference for modification purposes)

NOTE

Purchased assembly includes box, lid and 4 cover screws.
Box and lid are made from Diecast Aluminum Alloy.
EVA Gasket supplied with liquid resistant enclosure.

Recommended Cover screw torque: 71-78 ozf.in / 50-55 cN.m

Recommended Cover screw torque with gasket: 50-56 ozf.in / 35-40 cN.m

PART NUMBERS

1550P Enclosure	
Natural Finish Enclosure	1550D
Black Textured Enclosure	1550DBK
1550P Liquid Resistant Enclosure (Silicone Gasket)	
Natural Finish Enclosure	1550WD
Black Textured Enclosure	1550WDBK
ACCESSORIES	
Plated Cover Screws (Pkg 100) [M3.5-0.6 x 12mm]	1550MS100
Black Cover Screws (Pkg 100) [M3.5-0.6 x 12mm]	1550MS100BK
Stainless Steel Cover Screws (Pkg 100) [M3.5 x 12mm, With O-Ring]	1550WMS100
Black Stainless Steel Cover Screws (Pkg 100) [M3.5 x 12mm, With O-Ring]	1550WMS100BK
EVA Pre-formed Gasket Black	1550DEGASKET
Silicone Pre-formed Gasket Black	1550DSGASKET



1550D

www.hammondmfg.com